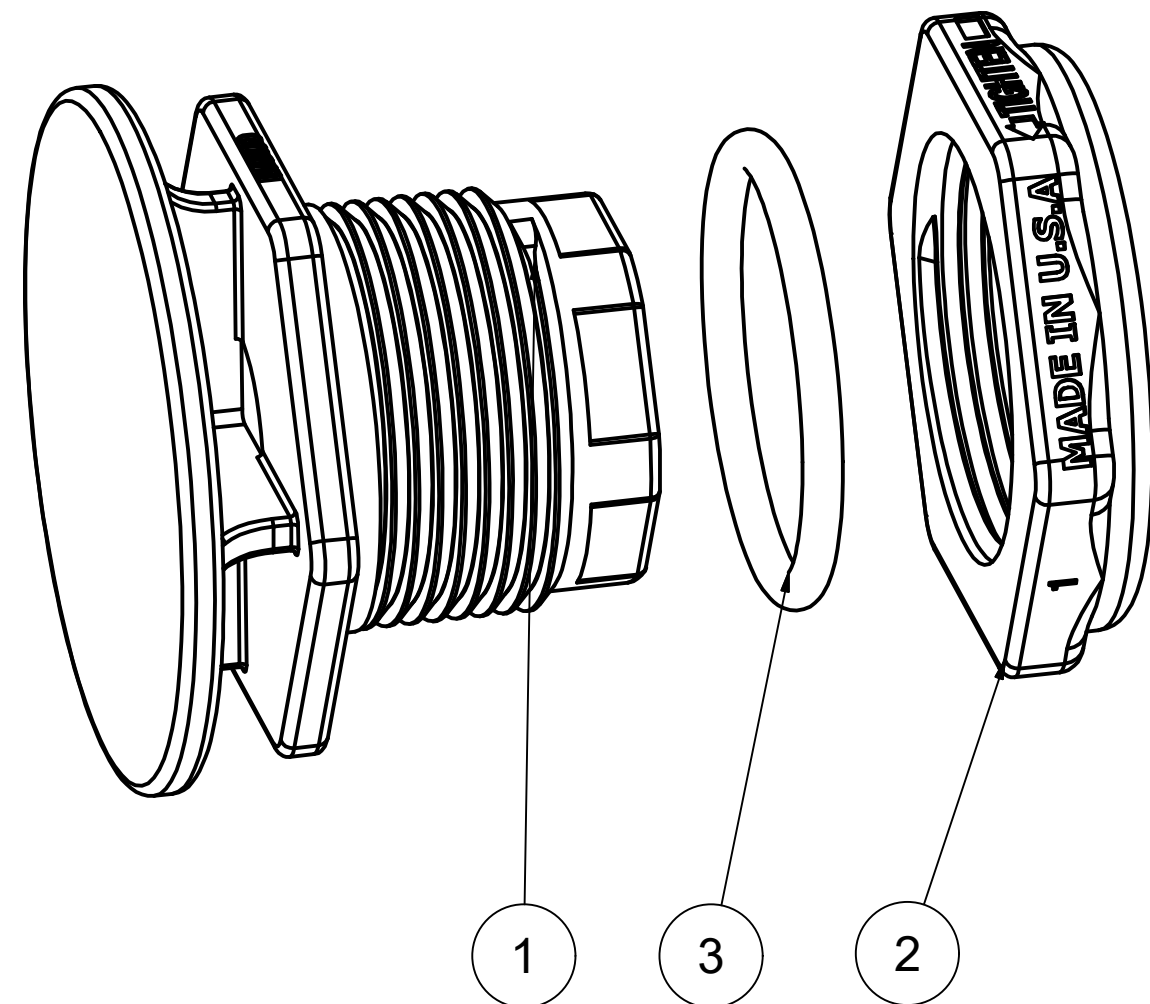
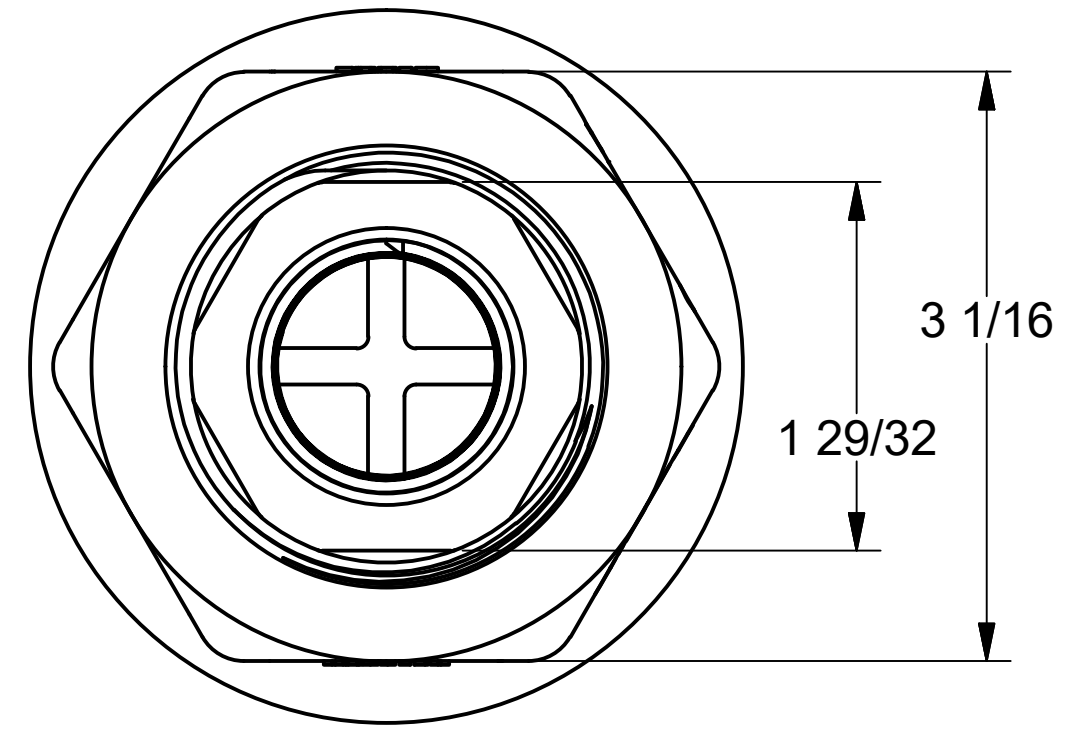
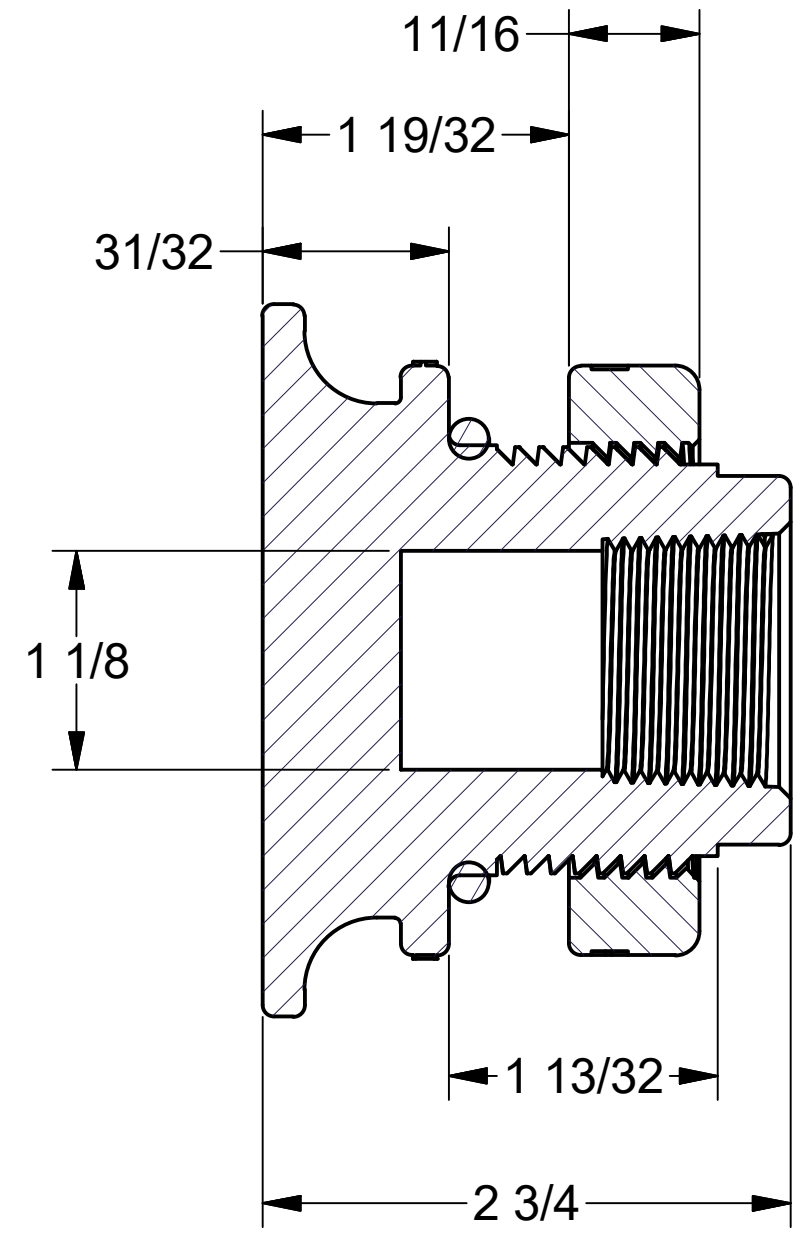
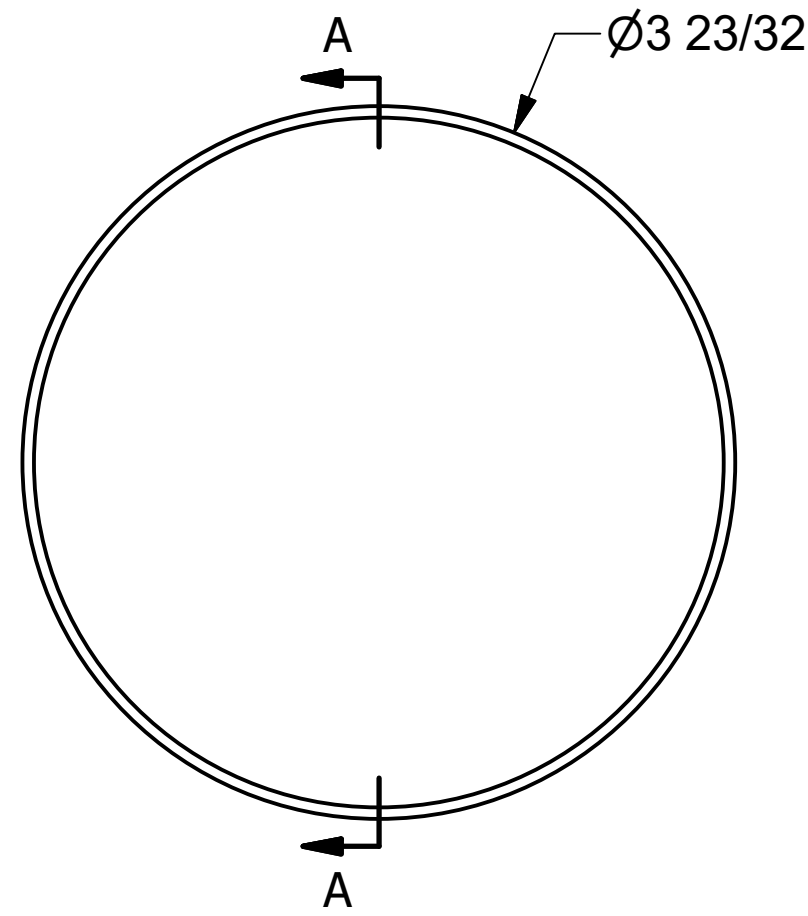


Parts List			
ITEM	QTY	PART NUMBER	DESCRIPTION
1	1	TF101AV	1" ANTI-VORTEX TF BODY
2	1	TF103	1" Tank Flange Nut
3	1	TF330V	#330 O'RING - FKM



THIS DRAWING AND ALL INFORMATION CONTAINED THEREON ARE THE EXCLUSIVE PROPERTY OF BANJO CORPORATION.

UNLESS SPECIFICALLY NOTED, THIS DRAWING AND ITEMS SHOWN ON THIS DRAWING ARE SUBJECT TO CHANGE AT ANY TIME.



BANJO CORPORATION
 150 BANJO DRIVE, CRAWFORDSVILLE, IN 47933
 WEB SITE: WWW.BANJOCORP.COM
 E-MAIL: BANJOSALES@IDEXCORP.COM

DESCRIPTION
 1" NPT TANK FITTING

PART NUMBER
 TF100AV